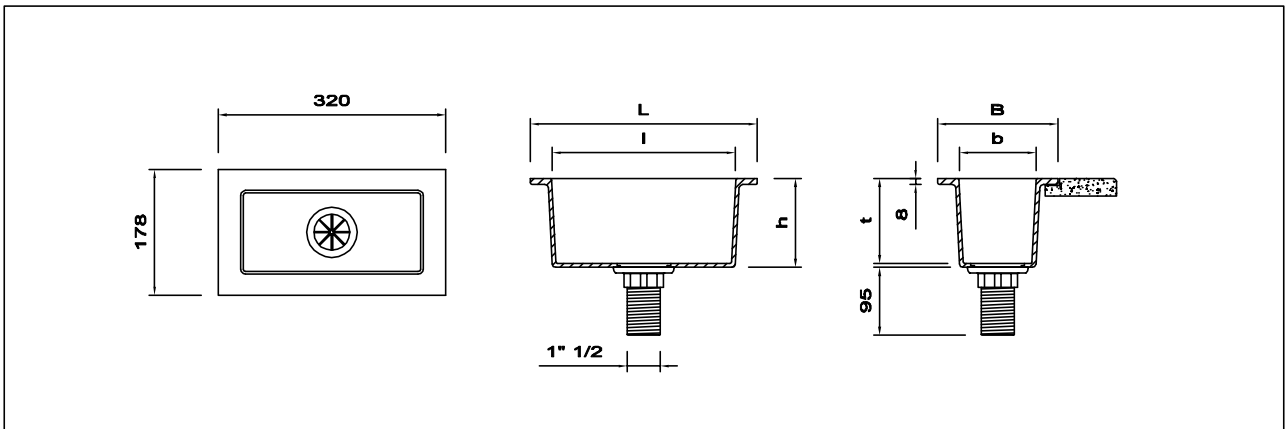
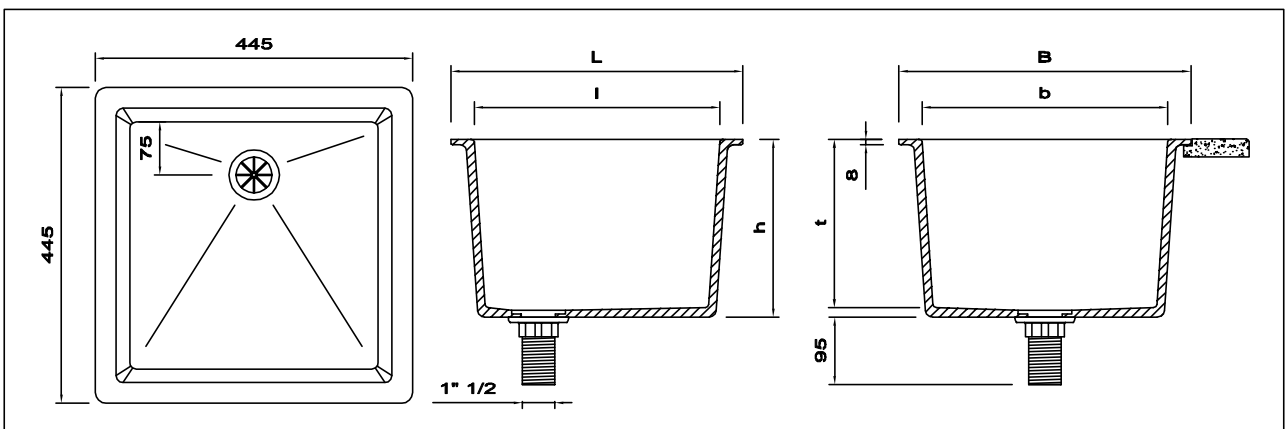


CODE	EXTERNAL DIMENSIONS L x B x h mm	INTERNAL DIMENSIONS l x b x t mm	WEIGHT kg
VQ300150	320 x 178 x 115	258 x 118 x 101	3,0

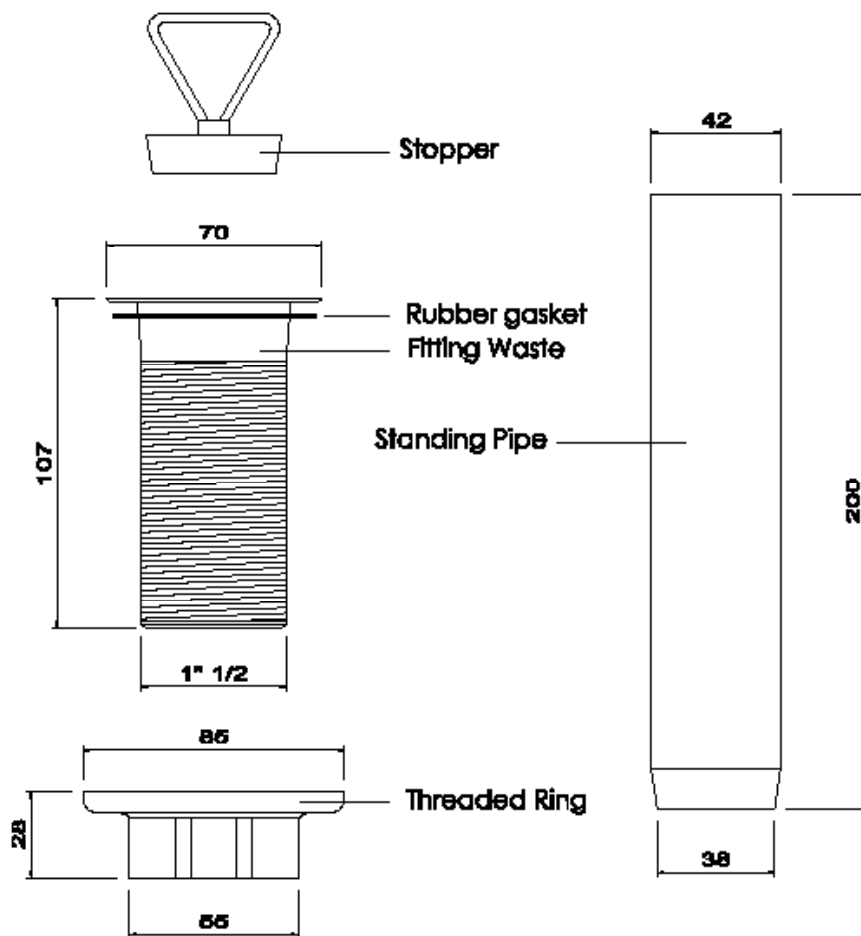


CODE	EXTERNAL DIMENSIONS L x B x h mm	INTERNAL DIMENSIONS l x b x t mm	WEIGHT kg
VQ460460	445 x 445 x 265	390 x 390 x 243	20,0



## ACCESSORIES FOR DRIP CUPS AND SINKS

All drip cups and sinks made of Technical Ceramic are supplied with polypropylene waste fitting 1" 1/2 and pipe overflow.



## VP SERIES POLYPROPYLENE DRIP CUP

The VP SERIES drip cup is made of polypropylene, has a great design, it is easy to install and resistant to most chemical products.

Polypropylene is an easy-to-use material, with excellent mechanical resistance and resistant to high temperatures up to 100 ° C. The material is also very easy to clean.

CODE	EXTERNAL DIMENSIONS L x B x h mm	INTERNAL DIMENSIONS l x b x t mm	WEIGHT kg
VP264110	264 x 115 x 250	240 x 90 x 180	2,3

